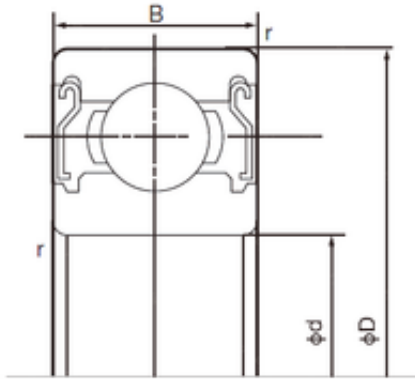




# DEARING OF AMERICA CORP.

## SKF NTN NSK Koyo NACHI 6022zz Deep Groove Ball Bearings



Bearing No. 6022zz

6022zz Bearing 2D drawings and 3D CAD models

Size	110x170x28 mm
Bore Diameter	110 mm
Outer Diameter	170 mm
Width	28 mm
d	110 mm
D	170 mm
B	28 mm
C	28 mm
r min.	2 mm
da min.	118 mm
Da max.	162 mm
ra max.	2.0 mm
Weight	1.97 Kg
Basic dynamic load rating (C)	84,5 kN
Basic static load rating (C0)	73 kN
Category	Single Row Ball Bearings
Inventory	0.0
Manufacturer Name	NACHI
Minimum Buy Quantity	N/A
Weight / Kilogram	0
Product Group	B00308
Enclosure	2 Metal Shields
Precision Class	ABEC 1   ISO P0
Maximum Capacity / Filling Slot	No



## DEARING OF AMERICA CORP.

Rolling Element	Ball Bearing
Snap Ring	No
Internal Special Features	No
Cage Material	Steel
Internal Clearance	C0-Medium
Inch - Metric	Metric
Long Description	110MM Bore; 170MM Outside Diameter; 28MM Outer Race Width; 2 Metal Shields; Ball Bearing; ABEC 1   ISO P0; No Filling Slot; No Snap Ring; No Internal Special Features; C0-Medium Internal Clearance; St
Other Features	Deep Groove
Category	Single Row Ball Bearing
UNSPSC	31171504
Harmonized Tariff Code	8482.10.50.68
Noun	Bearing
Keyword String	Ball
Manufacturer URL	<a href="http://www.nachiamerica.com">http://www.nachiamerica.com</a>
Outside Diameter	6.693 Inch   170 Millimeter
Outer Race Width	1.102 Inch   28 Millimeter
Bore	4.331 Inch   110 Millimeter
Inner Race Width	0 Inch   0 Millimeter
Bore Type	Cylindrical Bore
Configuration	Single Row
Bore Size	110 mm
Width	28 mm
Fillet Radius/Chamfer	2 mm
Dynamic Load Rating	84,500 N
Static Load Rating	73,000 N
Limiting Speed - Grease	3,800 rpm



## DEARING OF AMERICA CORP.

Factor fo	15.5
Radial Clearance	0.015 to 0.041 mm
da (min)	118 mm
Da (max)	162 mm
ra (max)	2 mm