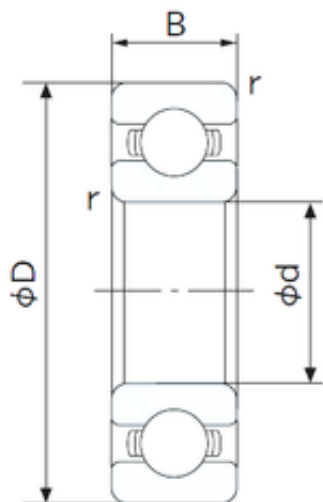




DEARING OF AMERICA CORP.



NTN NSK NACHI Koyo SKF Timken High Temperature Resistance Motorcycle Bearing Deep Groove Ball Bearing 6205 2RS C3 6205-2rsc3 6205-Zz 6205zz 6205-2zc3 6205rz

Bearing No. 6205

6205 Bearing 2D drawings and 3D CAD models

Size	25x52x15 mm
Bore Diameter	25 mm
Outer Diameter	52 mm
Width	15 mm
d	25 mm
D	52 mm
B	15 mm
C	15 mm
r min.	1 mm
da min.	31 mm
Da max.	46 mm
ra max.	1.0 mm
Weight	0.128 Kg
Basic dynamic load rating (C)	14 kN
Basic static load rating (C0)	7,9 kN
(Grease) Lubrication Speed	12000 r/min
Category	Single Row Ball Bearings
Inventory	0.0
Manufacturer Name	NACHI
Minimum Buy Quantity	N/A
Weight / Kilogram	0
Product Group	B00308
Enclosure	Open



DEARING OF AMERICA CORP.

Precision Class	ABEC 1 ISO P0
Maximum Capacity / Filling Slot	No
Rolling Element	Ball Bearing
Snap Ring	No
Internal Special Features	No
Cage Material	Steel
Internal Clearance	C0-Medium
Inch - Metric	Metric
Long Description	25MM Bore; 52MM Outside Diameter; 15MM Outer Race Width; Open; Ball Bearing; ABEC 1 ISO P0; No Filling Slot; No Snap Ring; No Internal Special Features; C0-Medium Internal Clearance; Steel Cage
Other Features	Deep Groove
Category	Single Row Ball Bearing
UNSPSC	31171504
Harmonized Tariff Code	8482.10.50.68
Noun	Bearing
Keyword String	Ball
Manufacturer URL	http://www.nachiamerica.com
Weight / LBS	0.28219
Inner Race Width	0 Inch 0 Millimeter
Outside Diameter	2.047 Inch 52 Millimeter
Outer Race Width	0.591 Inch 15 Millimeter
Bore	0.984 Inch 25 Millimeter
Bore Type	Cylindrical Bore
Configuration	Single Row
Bore Size	25 mm
Width	15 mm



DEARING OF AMERICA CORP.

Fillet Radius/Chamfer	1 mm
Dynamic Load Rating	14,000 N
Static Load Rating	7,900 N
Limiting Speed - Grease	13,000 rpm
Limiting Speed - Oil	16,000 rpm
Factor fo	13.9
Radial Clearance	0.005 to 0.020 mm
da (min)	31 mm
Da (max)	46 mm
ra (max)	1 mm