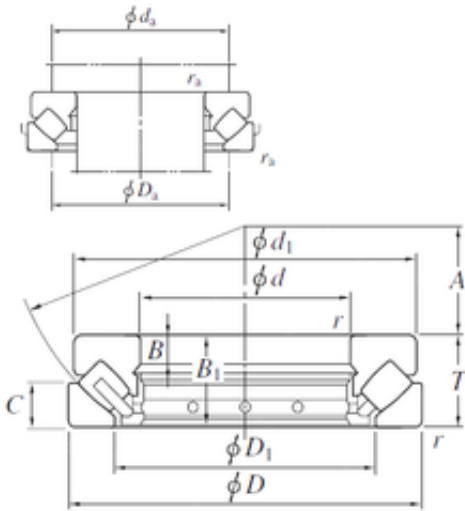




## DEARING OF AMERICA CORP.

710 mm x 1220 mm x 113 mm KOYO 294/710  
thrust roller bearings

Bearing No. 294/710



294/710 Bearing 2D drawings and 3D CAD models

Size	710x1220x308 mm
Bore Diameter	710 mm
Outer Diameter	1220 mm
Width	308 mm
d	710 mm
D	1220 mm
T	308 mm
d1	1165 mm
r min.	15 mm
A	415 mm
B	113 mm
B1	298 mm
C	150 mm
D1	925 mm
da min.	930 mm
Da max.	1050 mm
ra max.	12 mm
Weight	1520 Kg
Basic dynamic load rating (C)	15400 kN