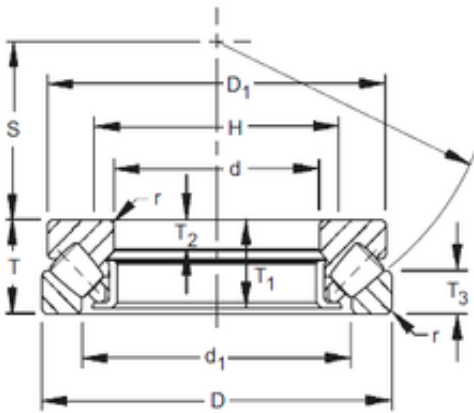




DEARING OF AMERICA CORP.

200 mm x 400 mm x 43 mm Timken 29440
thrust roller bearings

Bearing No. 29440



29440 Bearing 2D drawings and 3D CAD models

| | |
|----------------|----------------|
| Size | 200x400x122 mm |
| Bore Diameter | 200 mm |
| Outer Diameter | 400 mm |
| Width | 122 mm |
| d | 200 mm |
| D | 400 mm |
| T | 122 mm |
| B | 43 mm |
| C | 59 mm |
| r max | 4 mm |
| T1 | 117 mm |
| d1 | 286 mm |
| D1 | 380 mm |
| H | 290 mm |
| S | 122 mm |