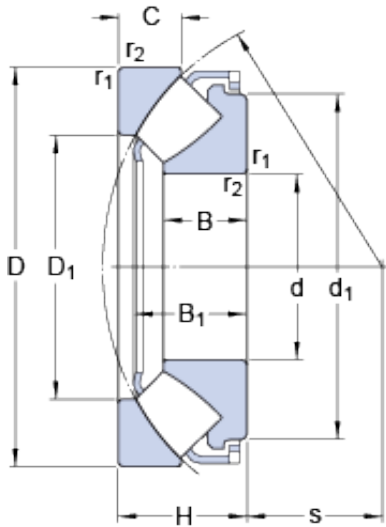




## DEARING OF AMERICA CORP.



29416 E Bearing 2D drawings and 3D CAD models

80 mm x 170 mm x 35 mm SKF 29416 E thrust roller bearings

Bearing No. 29416 E

Size	170x80x54 mm
Bore Diameter	170 mm
Outer Diameter	80 mm
Width	54 mm
d	80 mm
D	170 mm
H	54 mm
d <sub>1</sub>	147 mm
D <sub>1</sub>	113 mm
B	35 mm
B <sub>1</sub>	48.1 mm
C	26.5 mm
s	50 mm
r <sub>1,2</sub> - min.	2.1 mm
d <sub>a</sub> - min.	120 mm
d <sub>b1</sub> - max.	88 mm
d <sub>b2</sub> - max.	88 mm
D <sub>a</sub> - max.	141 mm
r <sub>a</sub> - max.	2 mm
Basic dynamic load rating - C	670 kN
Basic static load rating - C <sub>0</sub>	1630 kN
Fatigue load limit - P <sub>u</sub>	193 kN
Reference speed	2200 r/min
Limiting speed	3800 r/min



## DEARING OF AMERICA CORP.

Factor min. axial load - A	0.25
Category	Thrust Roller Bearing
Inventory	0.0
Manufacturer Name	SKF
Minimum Buy Quantity	N/A
Weight / Kilogram	5.61
EAN	7316576609053
Product Group	B04311
Rolling Element	Spherical Roller Bearing
Self Aligning	Yes
Component Description	Roller Assembly plus Raceways
Thrust Bearing	Yes
Single or Double Direction	Single Direction
Banded	No
Cage Material	Steel
Precision Class	ABEC 1   ISO P0
Other Features	Single Row   Window Type Cage
Long Description	80MM Bore 1; 112.5MM Bore 2; 170MM Outside Diameter; 54MM Height; Spherical Roller Bearing; Single Direction; Self Aligning; Not Banded; Steel Cage; ABEC 1   ISO P0; Roller Assembly plus Raceways
Inch - Metric	Metric
Category	Thrust Roller Bearings
UNSPSC	31171507
Harmonized Tariff Code	8482.30.00.40
Noun	Bearing
Keyword 3	Spherical
Keyword String	Thrust Roller Spherical



## DEARING OF AMERICA CORP.

Manufacturer URL	<a href="http://www.skf.com">http://www.skf.com</a>
Manufacturer Item Number	29416 E
Weight / LBS	12.346
Height	2.126 Inch   54 Millimeter
Overall Height with Aligning Washer	0 Inch   0 Millimeter
Bore 2	4.429 Inch   112.5 Millimeter
Outside Diameter	6.693 Inch   170 Millimeter
Bore 1	3.15 Inch   80 Millimeter
bore diameter:	80 mm
dynamic load capacity:	670 kN
outside diameter:	170 mm
maximum rpm:	3800 RPM
overall width:	54 mm
separable type:	Non-Separable
operating temperature range:	Maximum of +392 ° F
fillet radius:	2 mm
static load capacity:	1630 kN
series:	294
cage material:	Steel
$d_1$	147 mm
$D_1$	113 mm
$B_1$	48.1 mm
$r_{1,2}$ min.	2.1 mm
$d_a$ min.	120 mm
$d_{b1}$ max.	88 mm
$d_{b2}$ max.	88 mm
$D_a$ max.	141 mm
$r_a$ max.	2 mm
Basic dynamic load rating C	670 kN
Basic static load rating $C_0$	1630 kN



## DEARING OF AMERICA CORP.

Fatigue load limit $P_u$	193 kN
Minimum axial load factor A	0.25
Mass bearing	5.6 kg