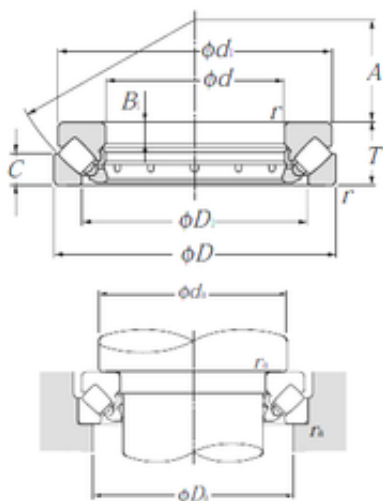




## DEARING OF AMERICA CORP.



### NTN 29344 thrust roller bearings

Bearing No. 29344

Size	220x360x85 mm
Bore Diameter	220 mm
Outer Diameter	360 mm
Width	85 mm
d	220 mm
D	360 mm
T	85 mm
B1	29 mm
C	41 mm
d1	345 mm
r min.	4 mm
A	125 mm
D1	280 mm
da min.	285 mm
Da max.	315 mm
ra max.	3 mm
Weight	34,5 Kg
Basic dynamic load rating (C)	1 390 kN
Basic static load rating (C0)	5 200 kN
Category	Roller Bearings
Inventory	0.0
Manufacturer Name	NTN
Minimum Buy Quantity	N/A
Weight / Kilogram	34.2
EAN	4547359290776
Product Group	B04311

29344 Bearing 2D drawings and 3D CAD models



## DEARING OF AMERICA CORP.

bore diameter:	220 mm
bearing material:	Through Hardened Steel
outside diameter:	360 mm
operating temperature range:	-40 to 120 ° C
overall width:	85 mm
maximum rpm:	940 rpm
cage type:	Machined - Two Piece
separable type:	Separable Bearing
enclosure:	Open
fillet radius:	4 mm
cage material:	Brass
series:	293
static load capacity:	5200000 N
manufacturer product page:	<a href="#">Click here</a>
dynamic load capacity:	1390000 N