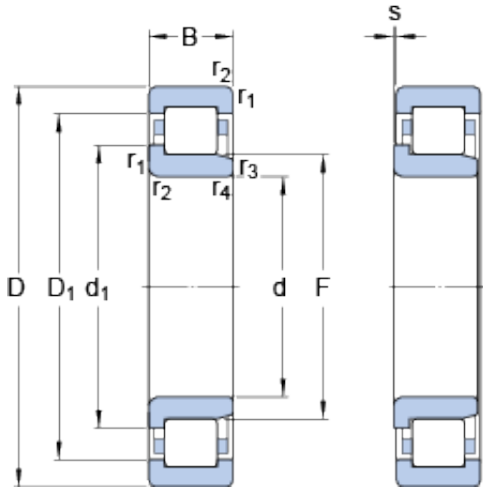




DEARING OF AMERICA CORP.



60 mm x 110 mm x 22 mm SKF NJ 212 ECM thrust ball bearings

Bearing No. NJ 212 ECM

Size	110x60x22 mm
Bore Diameter	110 mm
Outer Diameter	60 mm
Width	22 mm
d	60 mm
D	110 mm
B	22 mm
d ₁	77.5 mm
D ₁	95 mm
F	72 mm
r _{1,2} - min.	1.5 mm
r _{3,4} - min.	1.5 mm
s	1.4 mm
d _a - min.	68 mm
d _a - max.	70 mm
d _b - min.	80 mm
D _a - max.	101 mm
r _a - max.	1.5 mm
Basic dynamic load rating - C	108 kN
Basic static load rating - C ₀	102 kN
Fatigue load limit - P _u	13.4 kN
Reference speed	6700 r/min
Limiting speed	7500 r/min
Calculation factor - k _r	0.15

NJ 212 ECM Bearing 2D drawings and 3D CAD models



DEARING OF AMERICA CORP.

d_1	77.5 mm
D_1	95.1 mm
$r_{1,2}$ min.	1.5 mm
$r_{3,4}$ min.	1.5 mm
s max.	1.4 mm
d_a min.	68 mm
d_a max.	70 mm
d_b min.	80 mm
D_a max.	101 mm
r_a max.	1.5 mm
Basic dynamic load rating C	108 kN
Basic static load rating C_0	102 kN
Fatigue load limit P_u	13.4 kN
Calculation factor k_r	0.15
Limiting value e	0.2
Axial load factor Y	0.6
Mass bearing	0.95 kg