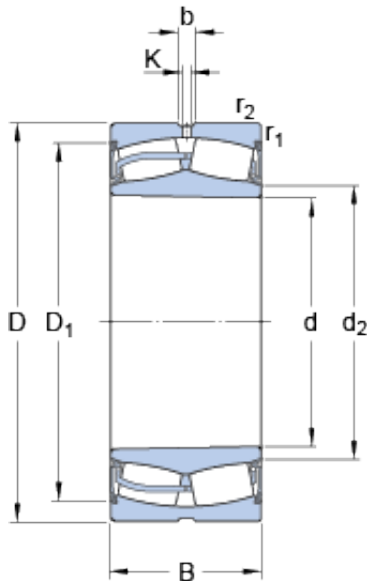




DEARING OF AMERICA CORP.



23122-2CS5K/VT143 Bearing 2D drawings and 3D CAD models

110 mm x 180 mm x 56 mm SKF
23122-2CS5K/VT143 spherical roller bearings

Bearing No. 23122-2CS5K/VT143

Size	180x110x56 mm
Bore Diameter	180 mm
Outer Diameter	110 mm
Width	56 mm
d	110 mm
D	180 mm
B	56 mm
d ₂	122 mm
D ₁	166 mm
b	8.3 mm
K	4.5 mm
r _{1,2} - min.	2 mm
d _a - min.	118 mm
d _a - max.	122 mm
D _a - max.	169 mm
r _a - max.	2 mm
Basic dynamic load rating - C	451 kN
Basic static load rating - C ₀	585 kN
Fatigue load limit - P _u	61 kN
Limiting speed	800 r/min
Calculation factor - e	0.27
Calculation factor - Y ₁	2.5
Calculation factor - Y ₂	3.7
Calculation factor - Y ₀	2.5



DEARING OF AMERICA CORP.

Category	Roller Bearings
Inventory	0.0
Manufacturer Name	SKF
Minimum Buy Quantity	N/A
Weight / Kilogram	5.445
EAN	7316573402879
Product Group	B04311
d_2	122 mm
D_1	166 mm
$r_{1,2}$ min.	2 mm
D_a max.	169 mm
r_a max.	2 mm
Basic dynamic load rating C	451 kN
Basic static load rating C_0	585 kN
Fatigue load limit P_u	61 kN
Calculation factor e	0.27
Calculation factor Y_1	2.5
Calculation factor Y_2	3.7
Calculation factor Y_0	2.5
Mass bearing	5.55 kg