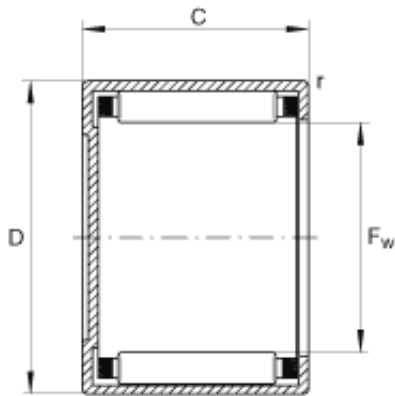




# DEARING OF AMERICA CORP.

## INA BCE24-TN needle roller bearings



Bearing No. BCE24-TN

Size	3.175x6.35x6.35 mm
Bore Diameter	3,175 mm
Outer Diameter	6,35 mm
Width	6,35 mm
$F_w$	1/8 inch
$F_w$	3,175 mm
D	0,25 inch
D	6,35 mm
C	0,25 inch
C	6,35 mm
m	0,003 lbs / Weight
m	1 g / Weight
$C_r$	240 lbf / Dynamic load rating (radial)
$C_r$	1070 N / Dynamic load rating (radial)
$C_{Or}$	165 lbf / Static load rating (radial)
$C_{Or}$	740 N / Static load rating (radial)
$n_G$	31500 1/min / Limiting speed

BCE24-TN Bearing 2D drawings and 3D CAD models