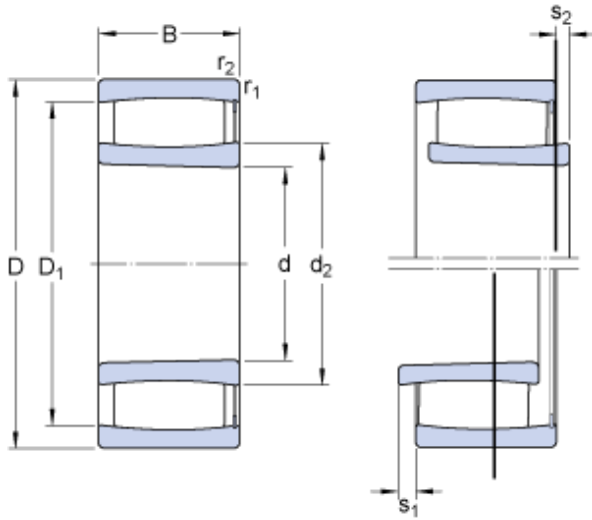




## DEARING OF AMERICA CORP.



130 mm x 210 mm x 80 mm 130 mm x 210 mm  
x 80 mm SKF C 4126 K30V/VE240 cylindrical  
roller bearings

Bearing No. C 4126 K30V/VE240

C 4126 K30V/VE240 Bearing 2D drawings and 3D CAD  
models

Size	210x130x80 mm
Bore Diameter	210 mm
Outer Diameter	130 mm
Width	80 mm
d	130 mm
D	210 mm
B	80 mm
d <sub>2</sub>	153 mm
D <sub>1</sub>	191 mm
s <sub>1</sub>	9.7 mm
s <sub>2</sub>	9.7 mm
r <sub>1,2</sub> - min.	2 mm
d <sub>a</sub> - min.	141 mm
d <sub>a</sub> - max.	174 mm
D <sub>a</sub> - max.	199 mm
r <sub>a</sub> - max.	2 mm
Basic dynamic load rating - C	750 kN
Basic static load rating - C <sub>0</sub>	1100 kN
Fatigue load limit - P <sub>u</sub>	110 kN
Limiting speed	850 r/min
Factor - k <sub>1</sub>	0.09
Factor - k <sub>2</sub>	0.126