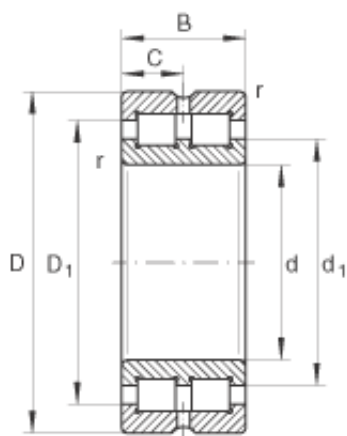




DEARING OF AMERICA CORP.



280 mm x 350 mm x 69 mm 280 mm x 350 mm
x 69 mm INA SL014856 cylindrical roller bearings

Bearing No. SL014856

SL014856 Bearing 2D drawings and 3D CAD models

Size	280x350x69 mm
Bore Diameter	280 mm
Outer Diameter	350 mm
Width	69 mm
d	280 mm
D	350 mm
B	69 mm
C	34,5 mm
D ₁	326,4 mm
d ₁	306,8 mm
r _{min}	2 mm
	NNC4856V / Designation to DIN 5412
m	16 kg / Weight
C _r	700000 N / Dynamic load rating (radial)
C _{0r}	1820000 N / Static load rating (radial)
C _{ur}	198000 N / Fatigue limit load, radial
n _G	980 1/min / Limiting speed
Category	Cylindrical Roller Bearings
Inventory	1.0
Manufacturer Name	SCHAEFFLER GROUP
Minimum Buy Quantity	N/A
Weight / Kilogram	19.18



DEARING OF AMERICA CORP.

EAN	4054364122751
Product Group	B04144
Bore Profile	Straight
Cage Material	None
Precision Class	RBEC 1 ISO P0
Number of Rows of Rollers	Double Row
Separable	No
Rolling Element	Cylindrical Roller Bearing
Profile	Complete with Outer and Inner Ring
Snap Ring	No
Internal Clearance	C0-Medium
Retainer	No
Relubricatable	Yes
Inch - Metric	Metric
Other Features	Full Complement 3 Rib Inner Ring 2 Rib Outer Ring Operating Temperature From -30 to 120 Deg
Long Description	280MM Bore; Straight Bore Profile; 350MM Outside Diameter; 69MM Width; RBEC 1 ISO P0; Double Row; Not Separable; No Snap Ring; Relubricatable; C0-Medium Internal Clearance; No Retainer
Category	Cylindrical Roller Bearing
UNSPSC	31171547
Harmonized Tariff Code	8482.50.00.00
Noun	Bearing
Manufacturer URL	http://www.ina.com
Manufacturer Item Number	SL014856
Weight / LBS	42.24
Outside Diameter	13.78 Inch 350 Millimeter



DEARING OF AMERICA CORP.

Width	2.717 Inch 69 Millimeter
Bore	11.024 Inch 280 Millimeter