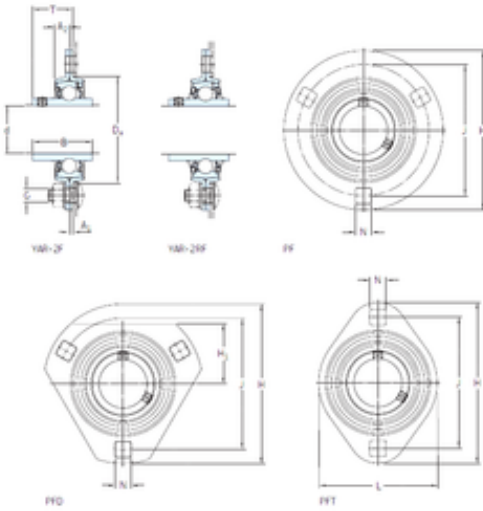




DEARING OF AMERICA CORP.



PFT 35 WF Bearing 2D drawings and 3D CAD models

SKF PFT 35 WF bearing units

Bearing No. PFT 35 WF

Bore Diameter	35 mm
d	35 mm
Da	81 mm
A1	2,5 mm
B1	51,1 mm
G	10 mm
H	122 mm
H1	– mm
J	100 mm
L	94 mm
N	11 mm
T	34,8 mm
A2	10 mm
Weight	0,8 Kg
Basic dynamic load rating (C)	25,5 kN
Basic static load rating (C0)	15,3 kN
Housing material	Pressed steel
Da min.	77 mm
A ₁	2.5 mm
A ₂	10 mm
B ₁	51.1 mm
B ₄	6.75 mm
s ₁	32.3 mm
Basic dynamic load rating C	25.5 kN
Basic static load rating C ₀	15.3 kN
Fatigue load limit P _u	0.655 kN



DEARING OF AMERICA CORP.

Limiting speed	5300 r/min
Mass bearing unit	0.75 kg
Thread grub screw G ₂	M10x1
Hexagonal key size for grub screw N	5 mm
Recommended tightening torque for grub screw	16.5 N · m
Recommended diameter for attachment bolts, mm G	10 mm
Recommended diameter for attachment bolts, inch G	0.375 in