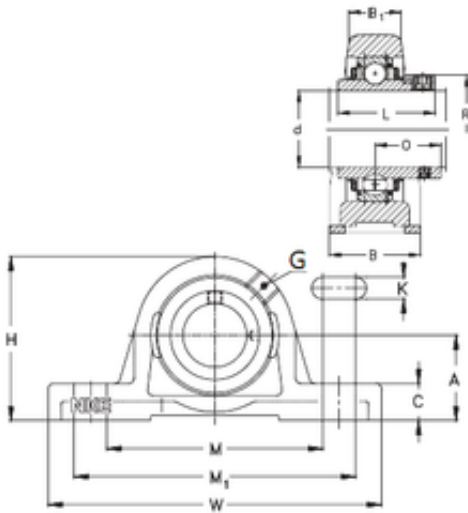




DEARING OF AMERICA CORP.

NKE PASE25-N bearing units

Bearing No. PASE25-N



PASE25-N Bearing 2D drawings and 3D CAD models

Bore Diameter	25 mm
Width	36 mm
d	25 mm
O	23,5 mm
A	36,5 mm
B	36 mm
B1	21 mm
C	14,5 mm
H	70 mm
K	11 mm
L	31 mm
M	94,5 mm
M1	110,5 mm
R	37,5 mm
W	130 mm
Thread (G)	R1/8 "