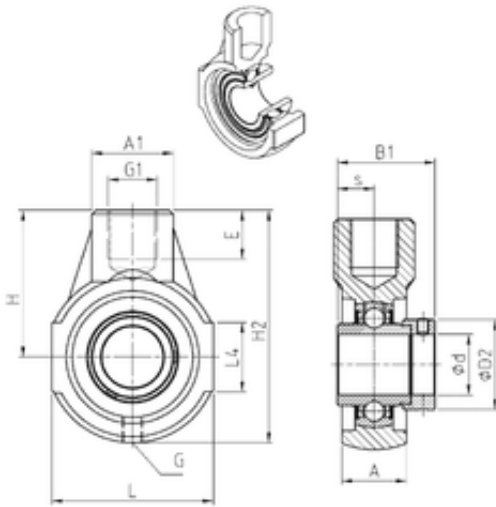




DEARING OF AMERICA CORP.

SNR EXEHE204 bearing units

Bearing No. EXEHE204



EXEHE204 Bearing 2D drawings and 3D CAD models

| | |
|-------------------------------|---------|
| Bore Diameter | 20 mm |
| d | 20 mm |
| L4 | 38 mm |
| s | 17 mm |
| A | 25 mm |
| A1 | 30 mm |
| B1 | 43,5 mm |
| D2 | 33,3 mm |
| E | 21 mm |
| G1 | M16 mm |
| H | 58 mm |
| H2 | 91 mm |
| L | 65 mm |
| Thread (G) | R1/8" |
| Weight | 0,8 Kg |
| Basic dynamic load rating (C) | 12,8 kN |
| A2 | 30 mm |
| B | 34 mm |
| A5 | 17 mm |
| d1 | 32.4 mm |
| G | R1/8" |
| L1 | 58 mm |
| L3 | 38 mm |
| s1 | 30.5 mm |
| S | 17 mm |
| SW | 3 mm |



DEARING OF AMERICA CORP.

| | |
|---|---------|
| C | 12.8 kN |
| C0 | 6.65 kN |
| T min. | -20 ° C |
| T max. | 100 ° C |
| Recommended tightening torque for set screw | 5.5 Nm |
| Designation of housing | EHE204- |
| Designation of bearing | EX204G2 |